

# Extended Range




## T.R.A.P.™ Breather Technology

Donaldson T.R.A.P. breathers are available in a variety of configurations:

- ABS plastic, nylon or epoxy-coated steel construction
- NPT, BSP, UN straight thread or bayonet connections
- With and without electronic indicator options to fit a broad range of applications

### T.R.A.P. Breather Sizing

Trap Model	Hydraulic System (gal/l)	In-plant Lube (gal/l)	Outside (gal/l)
Standard	100/375	500/1875	250/938
Metal	40/150	200/750	100/375
Mini	4/15	20/75	10/38

	Part No.	Connection	Maximum Flow (cfm/lpm)	Indicator	Moisture Removal
 <b>Standard</b>	<b>Standard ABS Plastic Breathers with Oil/Splash Containment</b>				
	P566151*	1" NPT	45/1274	opt mechanical indicator kit	Yes
	P564669	1" NPT	45/1274	electronic	Yes
	P566156	Bayonet	45/1274	none	Yes
 <b>Medium Metal</b>	<b>Medium Epoxy Coated Steel Breathers with Oil/Splash Containment</b>				
	P565857*	3/4" NPT	25/708	opt mechanical indicator kit	Yes
	P565858	Bayonet	25/708	none	Yes
	P566037	3/4" BSP	25/708	none	Yes
 <b>Mini</b>	<b>Mini Nylon Breathers with Oil/Splash Containment</b>				
	P566174	9/16"-18 UNF	3/85	none	Yes
	P567390	3/8" NPT	3/85	none	Yes
	P567392	1/4" NPT	3/85	none	Yes
<b>Mini Particulate Only Breathers with Oil Splash Containment</b>					
P567931	9/16"-18 UNF	3/85	none	none	No
P567932	3/8" NPT	3/85	none	none	No
P567933	1/4" NPT	3/85	none	none	No

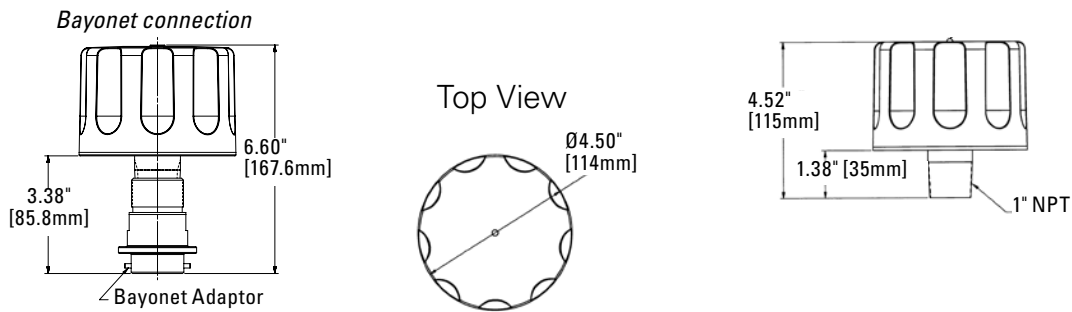
Part No.	Connection	Indicator
<b>*Mechanical Indicator Kit - For use with P566151 &amp; P565857 (*requires customer-supplied 3/4"x1" NPT reducer bushing)</b>		
P566168	1" NPT coupling	20" H2O/5 kPa trip point

Part No.	Description	Connection
<b>Bayonet Style Filler Basket - For use with bayonet style T.R.A.P. Breathers</b>		
P566321	3" Stainless steel basket	6-bolt 2.81/71.4 circle
P575080	6" Stainless steel basket with Lock Tab	6-bolt 2.81/71.4 circle
P563874	4" Nylon Basket	6-bolt 2.81/71.4 circle
P563453	6" Stainless steel basket	6-bolt 2.81/71.4 circle

# T.R.A.P.™ Breather Specifications

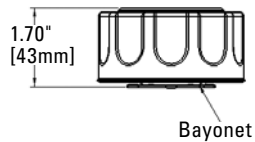
**Standard** **P565616** (electronic indicator) Bayonet connection  
**P566156** (no indicator version) Bayonet connection

**P564669** (optional mechanical) 1" NPT connection  
**P566151** (no indicator version) 1" NPT connection



## Metal

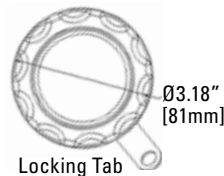
**P565858**  
 Bayonet connection



**P575077** Bayonet connection with Lock Tab  
**P570353**

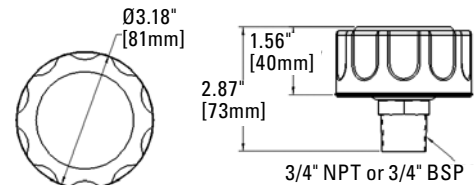


### Top View



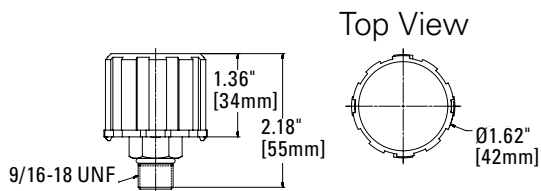
**P565857** (3/4" NPT connection, optional mechanical indicator)

**P566037** (3/4" BSP connection)



## Mini

**P566174**  
**P567390**  
**P567392**



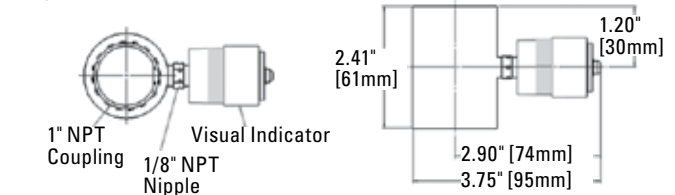
## Mechanical Indicator Kit

**P566168**

Suitable for use with **P566151** and **P565857**\*

\*Requires additional 3/4" x 1" reducer bushing (supplied by customer)

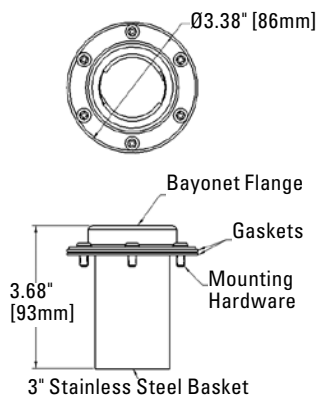
### Top View



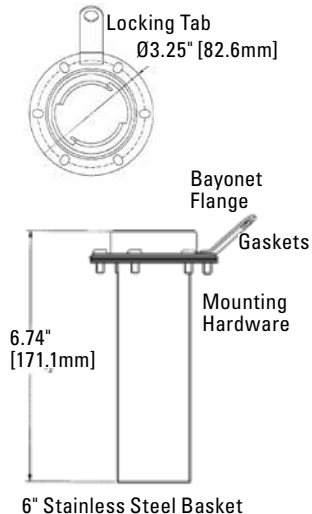
## Bayonet Style Filler Basket/Flange Kits

Use with any bayonet style T.R.A.P. Breather

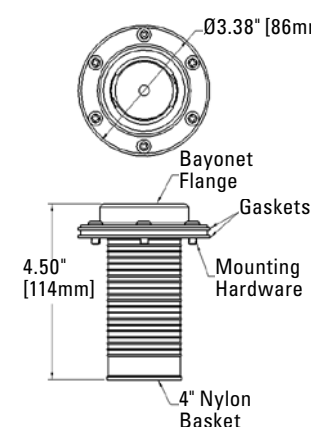
**P566321**



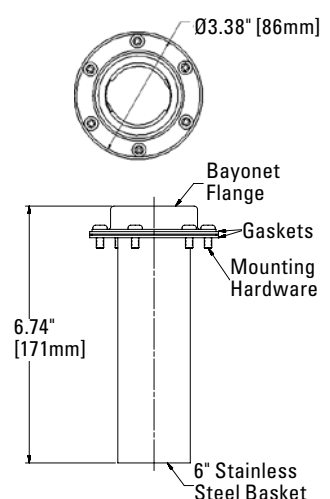
**P575080**



**P563874**



**P563453**



# T.R.A.P.™ Breather Technology

## Eliminates Moisture and Particulate from Reservoirs

### Technical Features

#### Operating Temperature Range

- -40°F to 200°F / -40°C to 93°C
- Intermittent operation to 250°F / 121°C

#### Connection Sizes

- 1" and 3/4" NPT, 3/4" BSP Bayonet
- 1/4" and 3/8" NPT, 9/16"-18UN

#### Flow Rates

- 45 cfm / 1274 lpm
- 25 cfm / 708 lpm
- 3 cfm / 85 lpm

#### Particulate Filter

- Highly efficient pleated particulate filter stops particle sizes down to 3 µm at 97%.

### Service Interval

- Optional mechanical indicator available
- Models with no indicator: change breather every 6 months.

### Electronic Indicator

- Actuated by pressure differential, flashes red to indicate change out is needed. Indicator setting, 1 psid (6.9kPa). Indicator power source: 3V lithium battery CR2032.

### Mechanical Indicator Kit

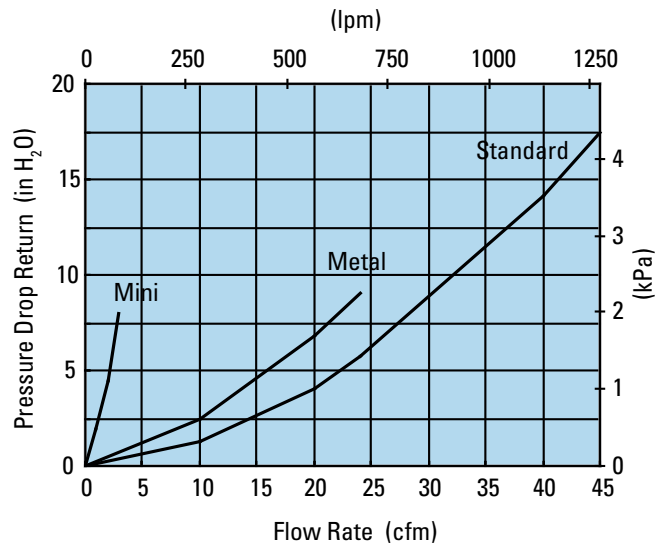
- Install kit between reservoir and T.R.A.P. breather. Lock-up style indicator with manual reset. Highly visible, bright red band shows when restriction limit is reached. Indicator setting 20" H<sub>2</sub>O (5.0 kPa).

### Caution!

In environments with combustible dusts or vapors, use non-electrical models only.



### T.R.A.P. Performance Data



Donaldson Company, Inc.  
PO Box 1299  
Minneapolis, MN  
55440-1299

[www.donaldson.com](http://www.donaldson.com)  
[www.donaldsonfilters.com](http://www.donaldsonfilters.com)

North America 800-374-1374

Mexico +52-449-910-6150

Latin Am. & Caribbean +52-449-910-6150

Brazil +55-11-4894-6340

Europe +32-16-38-3811

South Africa +27-11-997-6000

South East Asia 65-6311-7373

Greater China 852-2405-8388

Japan 81-42-540-4112

Australia 61-02-4350-2033

Korea 82-2-517-3333

India +91-124-2290060

Brochure No. F111221 ENG (2/15)

© 2015 Donaldson Company, Inc. All rights reserved. Donaldson Company, Inc. reserves the right to change or discontinue any model or specification at any time and without notice. Printed in the U.S.A.